

WBU 3 P MN

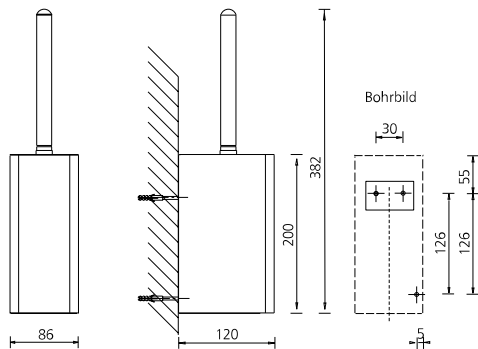
Toilet brush holder, super-resistant against chlorinated cleaners

Art.-No. 1422001



OPHARDT HYGIENE-TECHNIK GmbH + Co. KG
Lindenau 27 | 47611 Issum | Germany
Tel.: +49 (0) 28 35 18-10 | Fax +49 (0) 28 35 18-77
planer@ophardt.com | www.ophardt.com

WBU 3



Maße in mm - Dimensions in mm



References

airports, train stations, schools, kindergardens, hotels, restaurants, commercial kitchen, food processing areas, prisons, exhibitions, conference centres, shopping centres, fitness and sports centres, industry, laboratories, administration facilities

Usage examples

toilets

Technical data

Housing:	Stainless steel 1.4404 (AISI 316L), matte black powder-coated (RAL 9005)
Mounting:	Wall mounting with 3 screws and wall plugs
Warranty:	5 years
Dimensions (W x H x D) in mm:	86x382x120